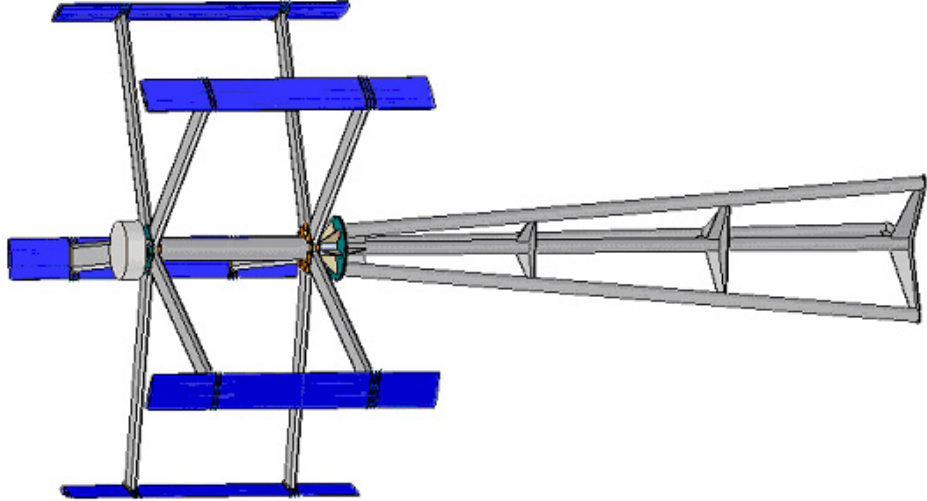




WindRotor – Technical Details



WindRotor WRE.200 Big Star Vertical

The Ropatec WindRotor is a vertically driven wind rotor which demonstrates special product characteristics through its unique construction.

The WindRotor WRE.200 can be delivered with a 380VAC on-grid inverter, a 110Vdc battery charger or a 20Kw "HotMax" heating system.



Independence: from the direction of the wind.



High wind forces: robust construction for extreme wind speeds.



Automatic start-up: Even at a wind speed of only 3 m/s.



Noise-free: The WindRotor is not audible!



Flexible: Solutions for different applications.

Technical details

Rated output 10m/s	app. 7 Kw
Rated output 14m/s	app. 20 Kw
Cut-in wind speed	3 m/s
Rated wind speed	14 m/s
Max. recommended	40 m/s
Rotor weight	~2300 kg
Rotor size	8,5 m x 4,5 m
Swept area	38,5 m ²
Brake system	non necessario
Alternator	PMG 20 Kw
Voltage	~350 Vac
Poles	80

